

Leil<sup>®</sup>  
SAUNAS



Round Cube<sup>®</sup>  
Outdoor Sauna Collection

[leilsaunas.com](https://leilsaunas.com)



Lei<sup>®</sup>  
SAUNAS

A vertical photograph of a dense evergreen forest. The scene is heavily misted, with a thick layer of white fog or low clouds that obscures the upper portions of the trees and the sky. The foreground shows the tops of several dark green coniferous trees, their needles appearing vibrant against the lighter, hazy background. The overall atmosphere is serene and quiet, suggesting a remote, natural setting.

Built for peace.  
Inspired by nature.

■ who are we?

# Not just another sauna manufacturer.

Our story began more than sixteen years ago in a freezing garage, where our two founders, childhood friends, built the first units by hand with equal parts grit and curiosity. That hands-on spirit still drives us today. From those early days, we've grown into a modern manufacturer with deep craft roots. We design and build on a single 6-hectare manufacturing campus in Estonia, pairing precise engineering with honest, long-lasting materials. Every detail matters: clean lines, smart assembly, efficient heating, and a bathing experience that feels restorative day after day.



**Experience over 16 years**



**Premium Materials**



**World-class Manufacturing**



**Award-winning Designs**

## Designed for life. Tested by nature.

What we make is intended to live beautifully and work hard. We build with Nordic ThermoWood®, tempered glass, and durable components, and we test our saunas the way they're meant to be used – out in real weather, with real steam, and real people. The result is reliable performance, simple maintenance, and timeless aesthetics that fit homes, cabins, spas, and hospitality projects.

## Crafted by hand. Found worldwide.

Our saunas are available through our distributor network in over 50 countries.



the story behind our name.



## What is *leil*?

*leil* (Estonian, noun)

“sauna steam”; the burst of heat and vapor created by ladling water onto hot stones, and therefore the sacred ritual of making it.

For centuries, the sauna has been a sacred place for the people of the North. In a rapidly changing and noisy world, it is increasingly important to take moments to truly be present and find peace. *Leil* is at the heart of this experience.

We invite people to experience the peace, connection, and ritual of true sauna practice. Our goal is to bring the authentic Estonian sauna experience to new audiences worldwide, teaching the art of *leil* as a universal expression of well-being that transcends cultures and languages.



## Healthy heat. Happy heart.

What most people don't realize is that leil isn't about endurance or extreme heat. True leil should be gentle and soft, yet deeply warm – a balance that soothes rather than overwhelms.

Our mission is to share this understanding with the world and teach people the art of creating and enjoying leil the right way.

Going into the sauna and throwing leil the right way helps boost your health and wellbeing, calm the mind, and strengthen your immunity.

# Round Cube<sup>®</sup>

## Outdoor Sauna Collection

An award-winning premium outdoor sauna series for those who seek quality in life. Round Cube<sup>®</sup> embodies the highest standards of design and craftsmanship, preserving the essence of traditional sauna culture while elevating it with a refined sense of luxury. Each detail is thoughtfully crafted to offer an experience of timeless elegance and pure relaxation.



### ■ exterior

From the outside, Round Cube<sup>®</sup> stands out with its distinctive curved silhouette, an architectural statement protected by EUIPO design rights. The exterior features 40 mm Thermowood<sup>®</sup> cladding, a black shingle roof, and full mirror-glass façade. The seamless arches and tempered glazing give it both strength and lightness, allowing it to integrate naturally into any landscape.



### ■ interior

Inside, warmth and texture define the atmosphere. Three-level aspen benches with elegant bench skirts create clean lines and ergonomic comfort, while back rests add gentle support for full relaxation. Optional juniper wall bring the scent and spirit of South-Estonian handcraft, and dimmable LED strips cast a soft, ambient glow above the benches, highlighting the natural wood tones.



## Round Cube® Mini

The smallest pearl of the Round Cube® series. Compact in size yet rich in character. Mini brings refined luxury to even the smallest gardens, offering a full, authentic sauna experience where space is no limit to comfort.



## Round Cube® Relax

Spacious and serene, Relax is designed for those who love to stretch out and unwind. With its generous U-shaped layout and seating for up to six, it invites you to fully recline and enjoy the quiet rhythm of heat and leil.



## Round Cube® Single

Winner of the Red Dot Design Award: Best of the Best, Single stands as the original icon of the Round Cube® line. A bold blend of craftsmanship and form, it comfortably hosts up to eight people.



## Round Cube® Double

Combining luxury and practicality, Double offers two rooms in perfect balance – a spacious leil room and a cozy front area for cooling down or relaxing between sessions.



reddot winner 2024  
best of the best





● **standard set includes**

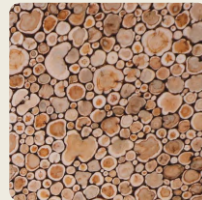
|   |   |   |
|---|---|---|
| 1 | <b>Walls</b>                            | 40mm Thermowood   |
| 2 | <b>Roof</b>                             | Shingle roof, Black                                       |
| 3 | <b>External door</b>                    | Tempered glass door with premium handle                   |
| 4 | <b>Front wall</b>                       | Double mirror glass, 20mm, tempered                       |
| 5 | <b>Benches</b>                          | 3-level benches with bench skirts and back rests          |
| 6 | <b>Arches</b>                           | Full circle arches for front and back wall, painted black |
| 7 | <b>Ventilation</b>                      | 3-4x ventilation openings                                 |
| 8 | <b>Floor cover</b>                      | Nerostep plastic grid mats                                |
| 9 | <b>Baseframe and external mouldings</b> | Painted black   |

● **additional extras**



10 **Lighting**

LED-strips under the bench and/or behind back rest



11 **Juniper Wall**

Healing juniper wall on the back wall with wonderful scent

● **available glass tones**



MIRROR



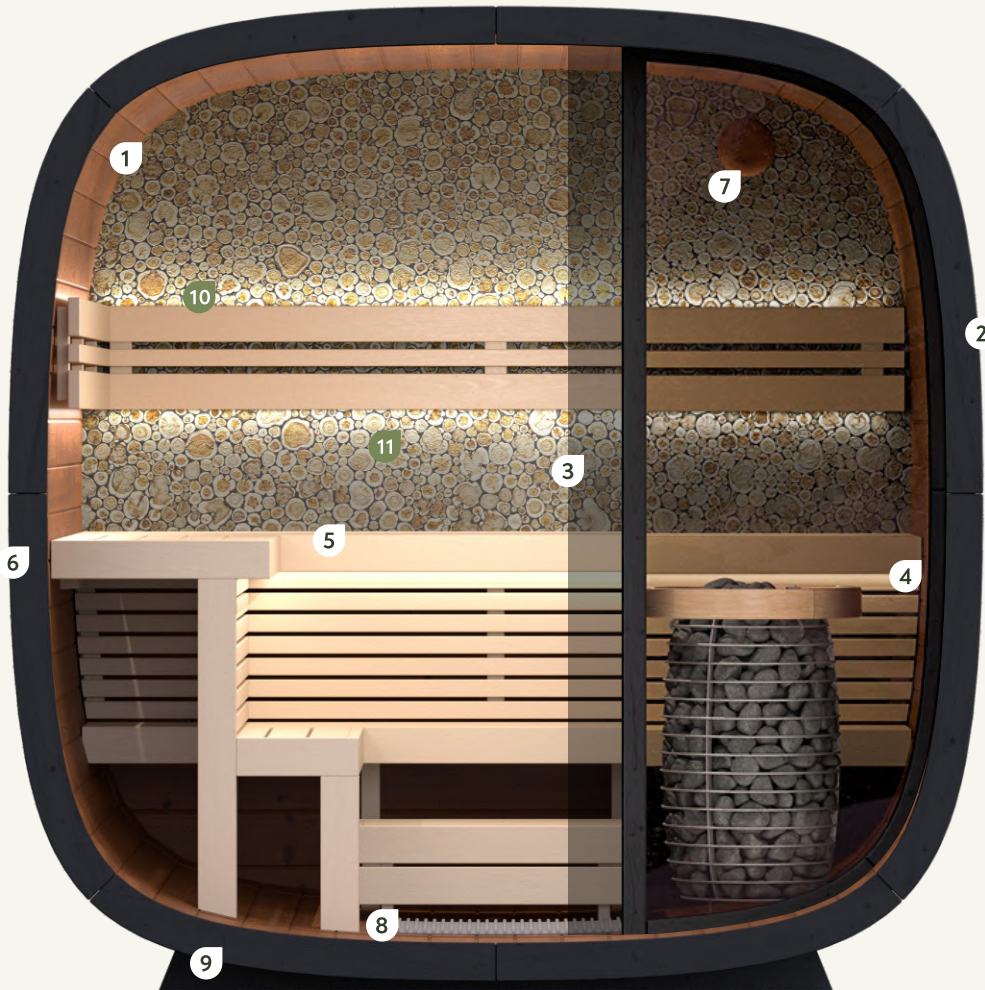
BRONZE



BLACK

## assembly and delivery

All models are available as a DIY kit or pre-assembled. Availability may vary by model - please check for details.

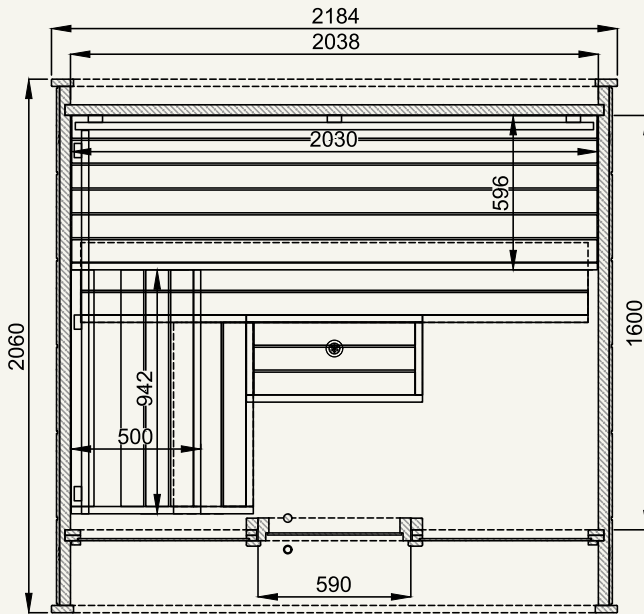




# Round Cube Mini

for 4 people (2.0) / for 5 people (2.4)





| technical information | METRIC 2.0 / 2.4            | IMPERIAL 2.0 / 2.4             |
|-----------------------|-----------------------------|--------------------------------|
| Coverage area         | 4,4/5,3 (m <sup>2</sup> )   | 47.4/57.0 (ft <sup>2</sup> )   |
| Steam room volume     | 6,0/8,0 (m <sup>3</sup> )   | 212.0/283.0 (ft <sup>3</sup> ) |
| External dimensions   | W2184×D2060/2460×H2200 (mm) | W86.0×D81.1/96.9×H86.6" (in)   |
| Internal dimensions   | W2038×D1600/2000×H2040 (mm) | W80.2×D63.0/78.7×H80.3" (in)   |
| Weight                | 900/990 (kg)                | 1,984/2,183 (lb)               |
| Pallet size           | 1,20×2,25/2,45×1,20 (m)     | 3.94×7.38/8.04×3.94 (ft)       |

**suitable with**

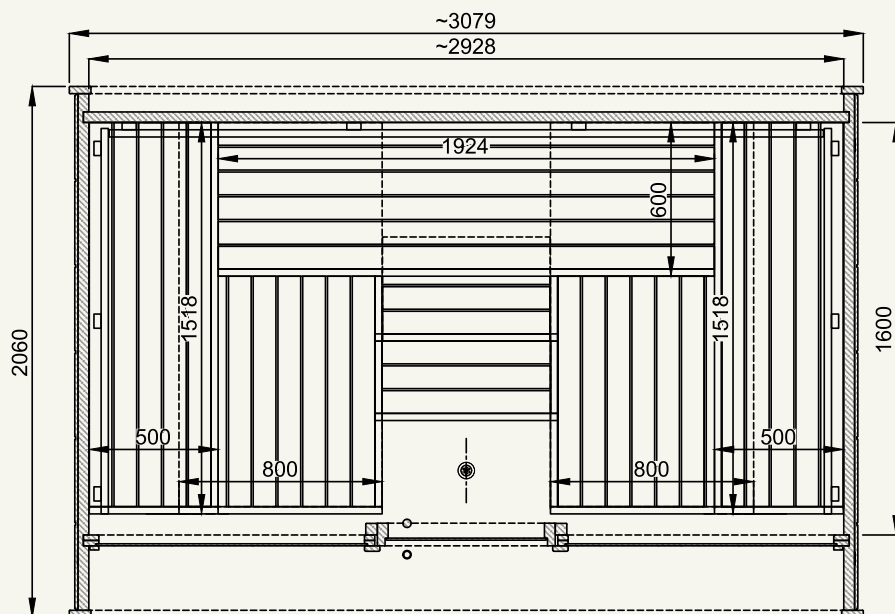
|                     |   |
|---------------------|---|
| Electric heater     | ✓ |
| Wood burning heater | ✗ |



# Round Cube Relax

for 6 people





## technical information

|                     | METRIC                 | IMPERIAL                 |
|---------------------|------------------------|--------------------------|
| Coverage area       | 6,4 (m <sup>2</sup> )  | 68.9 (ft <sup>2</sup> )  |
| Steam room volume   | 9,0 (m <sup>3</sup> )  | 318.0 (ft <sup>3</sup> ) |
| External dimensions | W3079×D2060×H2200 (mm) | W121.2×D81.1×H86.6 (in)  |
| Internal dimensions | W2928×D1600×H2040 (mm) | W115.3×D63.0×H80.3 (in)  |
| Weight              | 1175 (kg)              | 2,590 (lb)               |
| Pallet size         | 1.20×3.15×1.20 (m)     | 3.94×10.33×3.94 (ft)     |

## suitable with

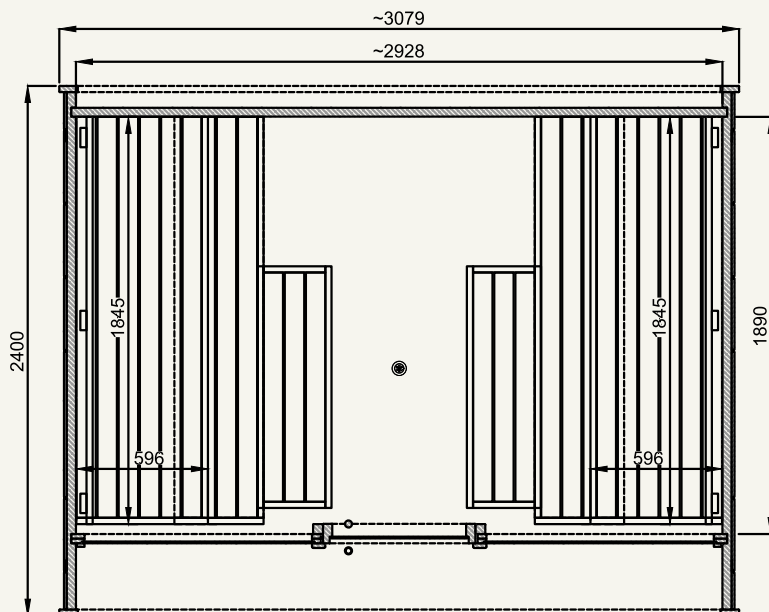
|                     |   |
|---------------------|---|
| Electric heater     | ✓ |
| Wood burning heater | ✗ |



# Round Cube Single

for 6 people (2.0) / for 6-8 people (2.4) / for 8 people (2.6)





| technical information | METRIC 2.0 / 2.4 / 2.6           | IMPERIAL 2.0 / 2.4 / 2.6             |
|-----------------------|----------------------------------|--------------------------------------|
| Coverage area         | 6,3/7,4/8,0 (m <sup>2</sup> )    | 67.8/79.7/86.1 (ft <sup>2</sup> )    |
| Steam room volume     | 8,0/10,0/12,0 (m <sup>3</sup> )  | 283.0/353.0/424.0 (ft <sup>3</sup> ) |
| External dimensions   | W3079×D2060/2400/2600×H2200 (mm) | W121.2×D81.1/94.5×H86.6" (in)        |
| Internal dimensions   | W2928×D1600/1890/2090×H2040 (mm) | W115.3×D63.0/74.4×H82.3" (in)        |
| Weight                | 1100/1290/1330 (kg)              | 2,425/2,844/2,932 (lb)               |
| Pallet size           | 1.20×3.15×1.20 (m)               | 3.94×10.33×3.94 (ft)                 |

**suitable with**

- Electric heater ✓

---

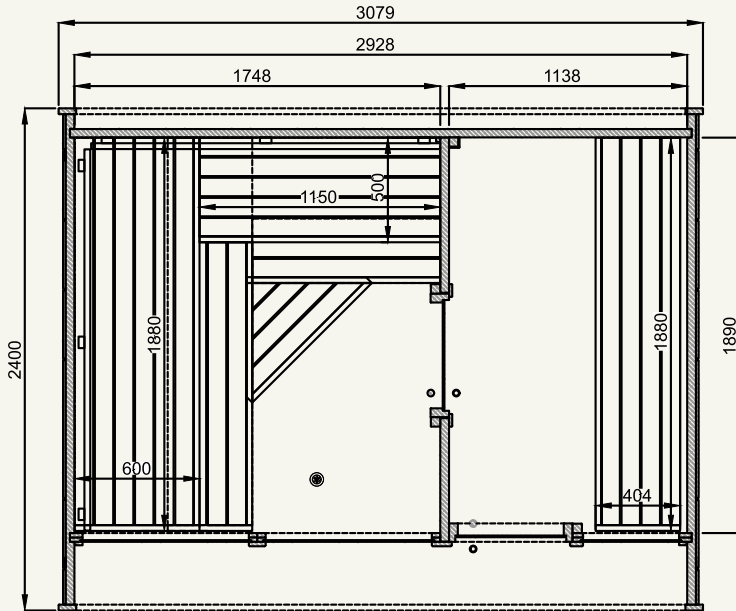
- Wood burning heater ✓



# Round Cube Double

for 5 people (2.4) / for 6 people (2.6)





| technical information | METRIC 2.4 / 2.6            | IMPERIAL 2.4 / 2.6             |
|-----------------------|-----------------------------|--------------------------------|
| Coverage area         | 7,4/8,0 (m <sup>2</sup> )   | 79.7/86.1 (ft <sup>2</sup> )   |
| Steam room volume     | 6,0/7,0 (m <sup>3</sup> )   | 212.0/247.0 (ft <sup>3</sup> ) |
| External dimensions   | W3079×D2400/2600×H2200 (mm) | W121.2×D94.5/102.4×H86.6" (in) |
| Internal dimensions   | W2928×D1890/2090×H2040 (mm) | W115.3×D74.4/82.3×H80.3" (in)  |
| Weight                | 1300/1400 (kg)              | 2,866/3,086 (lb)               |
| Pallet size           | 1.20×3.15×1.20 (m)          | 3.94×10.33×3.94 (ft)           |

### suitable with

|                     |   |
|---------------------|---|
| Electric heater     | ✓ |
| Wood burning heater | ✓ |

## FAQ.

### **What type of wood do you use in manufacturing, and why is thermally treated wood good?**

We use ThermoWood® (thermally modified pine) for the sauna exterior, while benches are made from aspen and alder, both in their natural and thermally treated forms. Thermally treated wood is ideal for saunas as it's resistant to water and humidity, doesn't swell or shrink, won't warp or twist like untreated wood, and doesn't leak resin.

---

### **Are your outdoor saunas suitable for year-round use?**

Yes, our outdoor saunas can be used year-round, enduring cold winters and hot summers. We use 40mm or 70mm thick thermally treated wood, roofing with shingles or EPDM rubber to ensure moisture resistance. We also recommend applying an external UV-protective varnish treatment which ensures long-lasting durability.

---

### **Can products be customized (custom solutions)?**

Yes, some products are available for customization, but it involves additional waiting time for designing and manufacturing. Typically, a custom order takes a minimum of 2-3 months.

---

### **Are sauna components painted at the factory?**

DIY (self-assembly) sauna components are partially factory-painted, requiring final finishing during installation. Fully assembled saunas are factory-painted and finished.

---

### **On what surface can the sauna be installed?**

The sauna must be installed on stable and level ground that doesn't settle. For outdoor saunas, ground must be prepared, either with driven piles or a concrete foundation.

---

### **Does the standard sauna kit include a heater?**

A standard kit includes the sauna only. Optional LED lighting and a heater packages are available as add-ons.\*

\*Depending on the country.



# Round Cube<sup>®</sup>

## Outdoor Sauna Collection

An award-winning premium outdoor sauna series for those who seek quality in life. Round Cube<sup>®</sup> embodies the highest standards of design and craftsmanship, preserving the essence of traditional sauna culture while elevating it with a refined sense of luxury. Each detail is thoughtfully crafted to offer an experience of timeless elegance and pure relaxation.



Mini  
for 4-5 person



Relax  
for 6-10 people



Single  
for 6-8 people



Double  
for 5-6 people



**Leil<sup>®</sup>**  
SAUNAS

### Leil Saunas OÜ

Karja tee 6, Võnnu, 62401  
Kastre municipality, Tartu county,  
Estonia

[sales@leilsaunas.com](mailto:sales@leilsaunas.com)

[leilsaunas.com](https://leilsaunas.com)

[f](#) [@](#) [in](#) @leilsaunas

#throwtheleil

